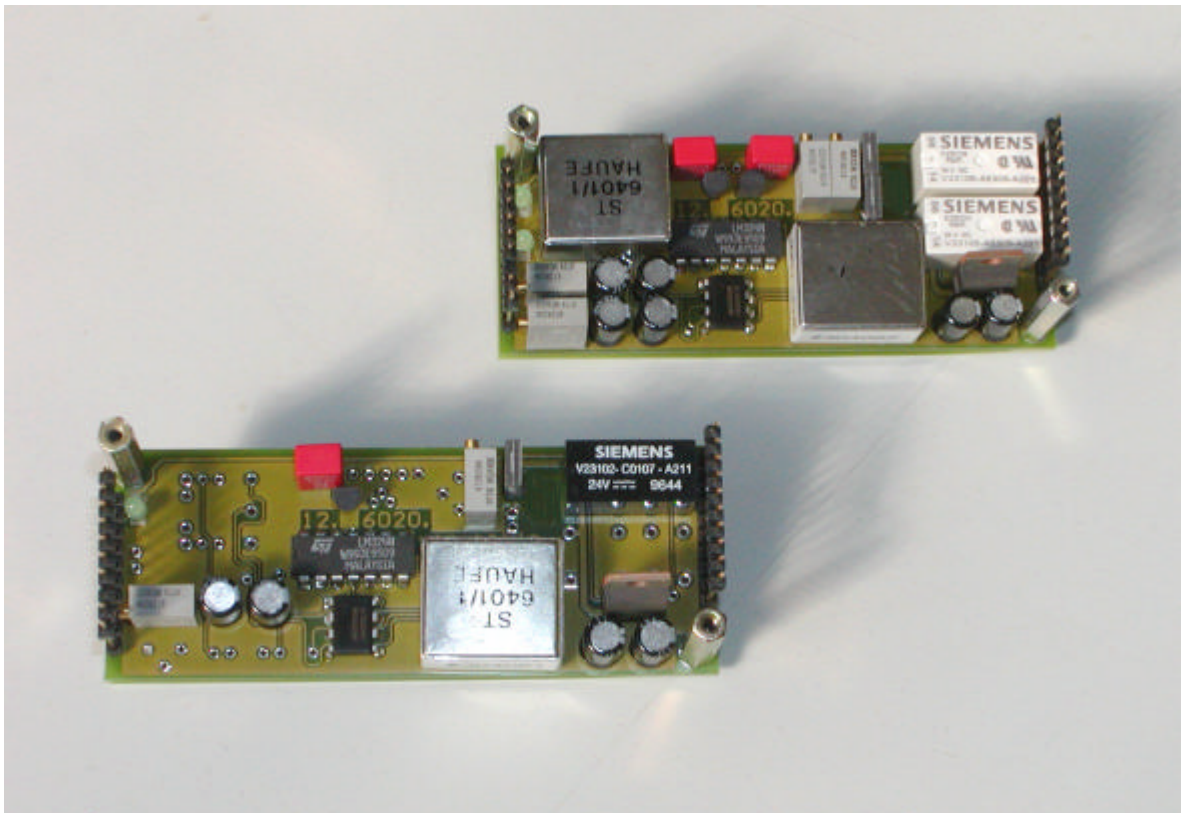


TR S Studiotechnik GmbH, Am Exer 27, D-38302 Wolfenbüttel,
FON (+49) 5331 / 9749-0, FAX (+49) 5331 / 9749-44
www.tr-s-studiotechnik.de email: info@tr-s-studiotechnik.de

Threshold switch module S 601M



Specifications

Threshold switch module S601-1M/ -2M

General information

The module S601-M is a universally usable threshold switch.

It is implemented as a plug board for the modular amplifier system MVS.

On a carrier board can be installed up to 4 pieces of S601-2M (= 8 threshold switches). Also the combination with other MVS modules is possible.

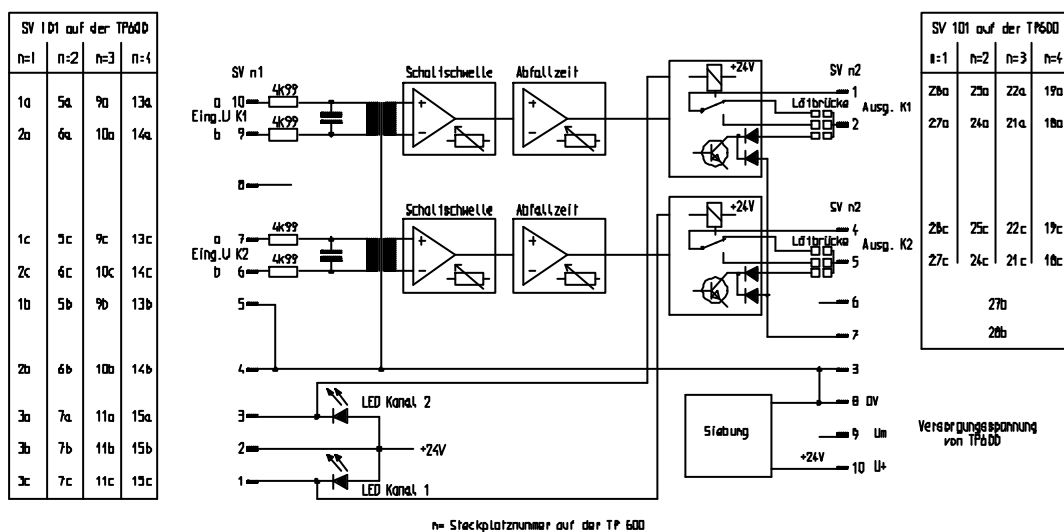
The voltage supply of the module effected from the filter circuit on the board.

A universal threshold switch with

- Input balanced, floating
- Threshold level adjustment from -20dB to +8dB
- Release time adjustment from 200 ms to 4s (optionally up to 120 s)
- Frequency response 200 – 20kHz
- Operating voltage 24V
- Common alarm

Please take further technical data from the data sheet.

Block diagram S601-2M



Threshold switch S601-1M/ -2M

Input	one channel: input balanced, floating input impedance 10kOhm
Threshold	adjustable from -20 dBu to +8dBu optionally -7 dBu to.22 dBu (peakhold)
Output programmable	one channel: open collector or relay contact (programmable worker or normally closed))
Operating time	open collector approx. 1 ms relay approx.. 5 ms
Release time	adjustable min. time 200 ms max. time 4 s (optionally up to 120s)
Output terminating resistance	Open collector max. 45V- / 100 mA Relaycontact max. operating voltage 50V- / 40V~ max. switch current 0,5A; max. switch capacity 20VA
Frequency response	200Hz to 20kHz, -3dB
Dimensions	1 place on TP 600, LBH ca. 95 x 36 x 27mm
Current consumption	ca. 20 mA static current ca. 55 mA with relay and LED on
Weight	1-channel = 45g, 2-channel = 80g
Temperature note	-10°C to +60°C

Order Information:

S601-1M	Threshold switch 1-channel	Order-No.	304061
S601-2M	Threshold switch 2-channel	Order-No.	304062