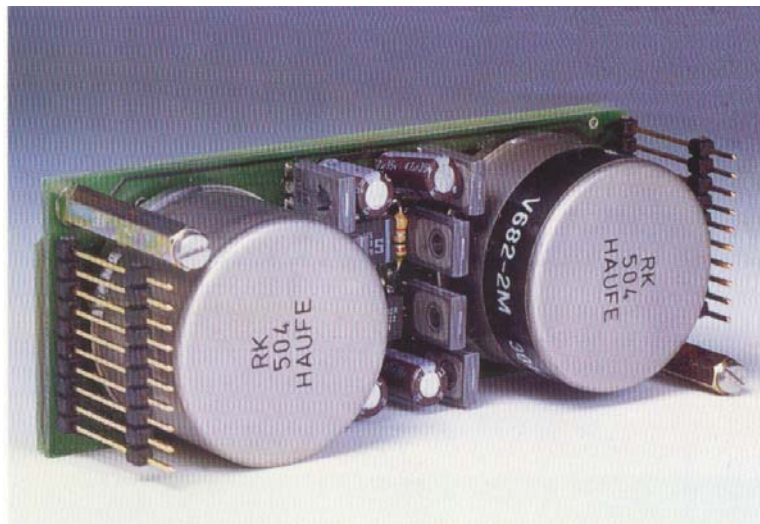


TRS Studiotechnik GmbH, Am Exer 27, D-38302 Wolfenbüttel,
FON (+49) 5331 / 9749-0, FAX (+49) 5331 / 9749-44
www.trs-studiotechnik.de email: info@trs-studiotechnik.de

Distribution amplifier module V 682M-1, V 682M-2



Specifications

Distribution amplifier module V682M-1, V682M-2

Studio amplifier with balanced floating outputs

General information:

The V682M is an amplifier for the german product requirement specifications 3/5.

It is implemented as a plug board for the modular amplifier system MVS.

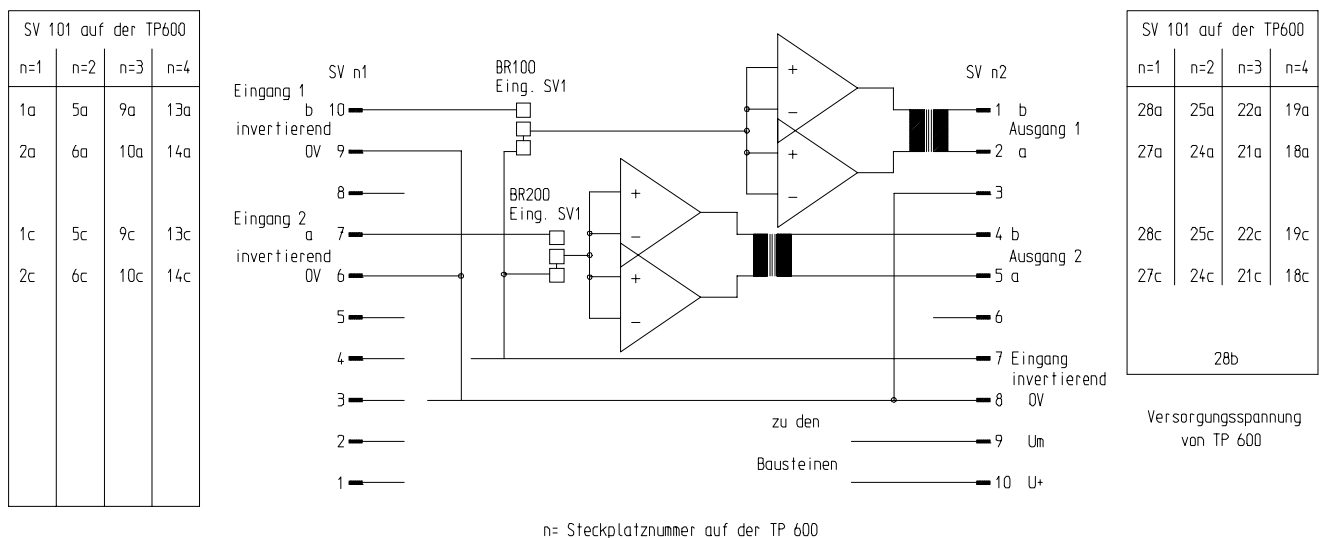
On the carrier board TP600 is mounted an amplifier module V672M on the first place. On the other places can be mounted up to 3 pieces V682M.

The voltage supply of the module effected from the filter circuit on the board.

- Input balanced, floating
- Additional junction input balanced, floating
- Input level nominal +6dBu
- Output level nominal +6 dBu
- Max. Output level +22 dBu
- Gain adjustment with trimpot +1 dB
- Operating voltage 24V

Please take further technical data from the data sheet.

Block diagram V682M-2



Distribution amplifier module V682M-1, V682M-2

Input	input balanced, floating (data V 672M) additional junction input balanced, floating serie resistor Re 2x 4,99 kOhm input impedance >9,8 kOhm, V672M via TP 600 (close Br. 4 on the V672M; solderview)
Output	V682M-1: 1x balanced, floating, V682M-2: 2x balanced, floating.
Output level	+6 dBu nominal level, +22 dBu max.
Gain	with trimpot adjustable +1 dB
Output impedance	<40 Ohm (40Hz - 15kHz)
Output terminating resistance	>300 Ohm; capacitive load 10KOhm // 22 nF
Resistance to short-circuitst	with Pin +6 dBu, >15 min
Phantom level resistance	output
Noise level	>50dB (+22dBu, 300Ohm, 40Hz - 5kHz, 24V)
Frequency response	+1,5dB 40Hz to 15kHz
Noise Voltage Suppression	at f-noise=15kHz <-89 dBqps with V672M, gain= 0 dB at f-noise=7KHz <-95 dBqps with V672M, gain= 0 dB
Dimensions	1 place on TP 600, W/H/D ca. 95 x 36 x 27mm
Current consumption	25mA static current, norminal level ca. 30 mA 150mA with max. level +22dBu, 300 Ohm load
Weight	150g
Temperature note	-10°C to +60°C

Order information:

V 682M-1	distribution amplifier module – 1 channel	Order-No.	304041
V 682M-2	distribution amplifier module – 2 channel	Order-No.	304040